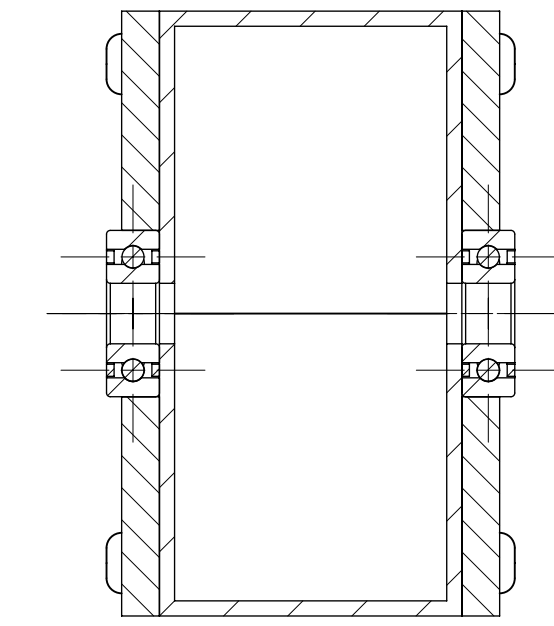
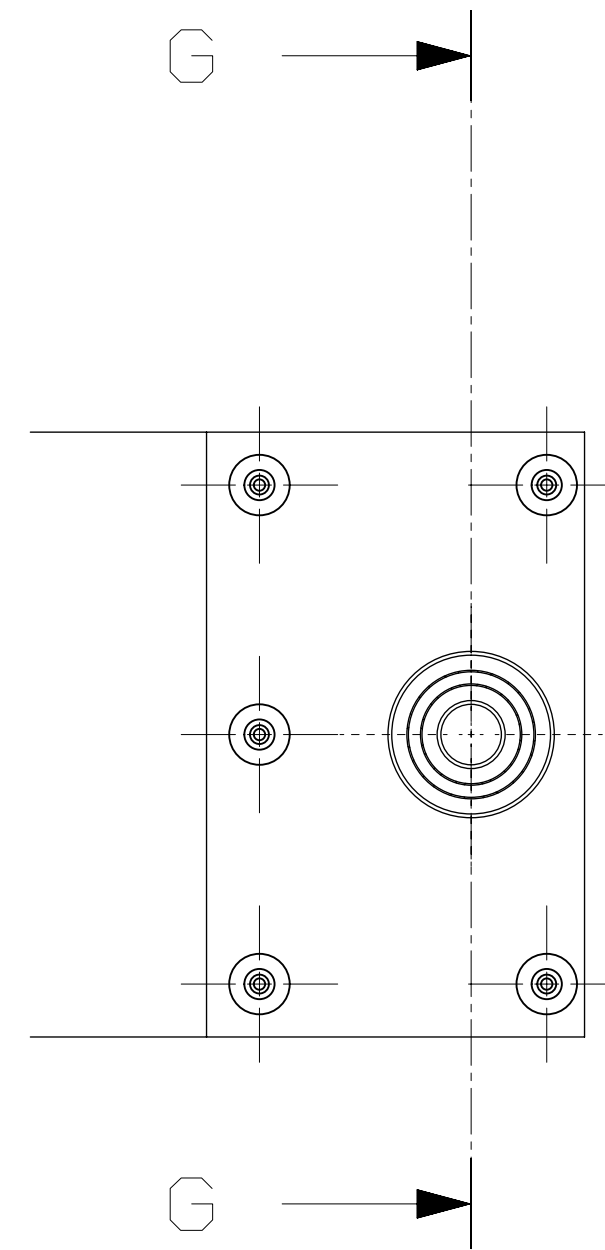
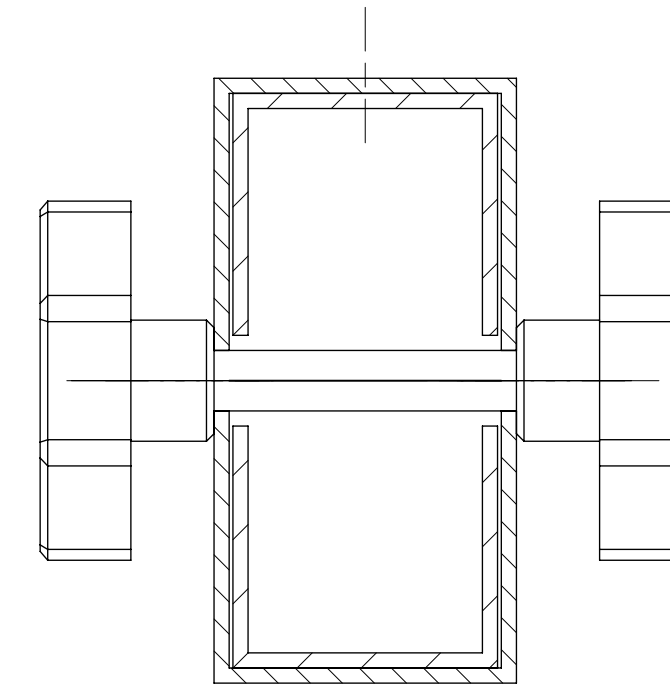
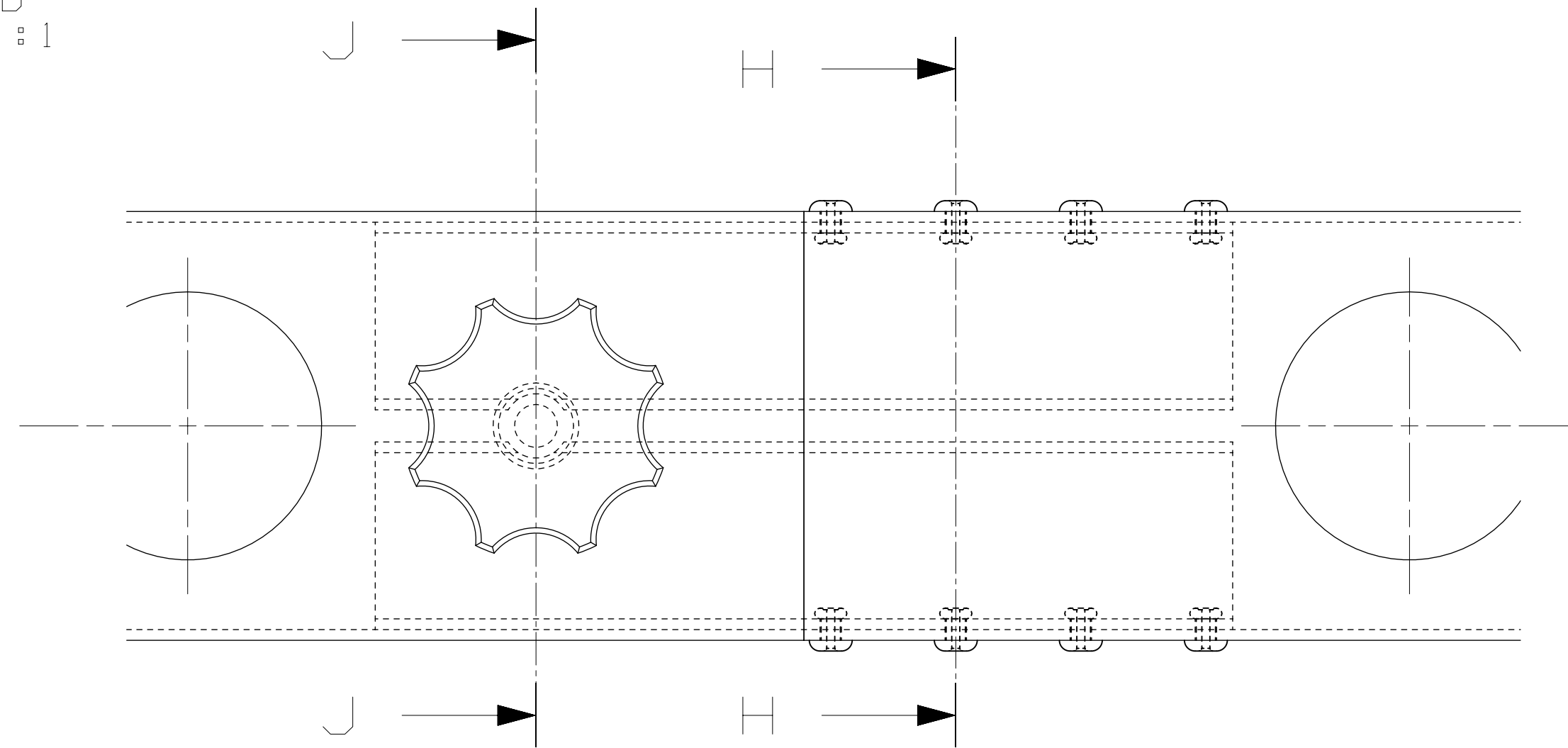


SECTION E-E

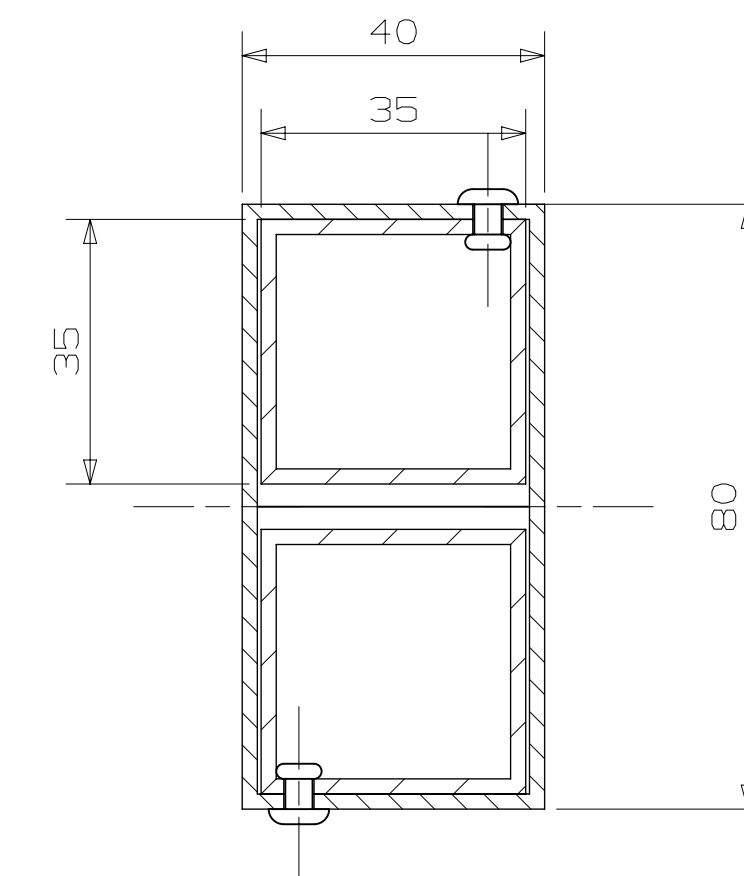


SECTION G-G

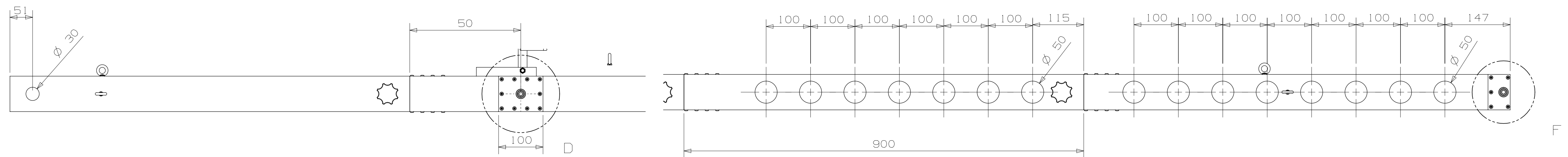
DETAIL D  
SCALE 1:1



SECTION J-J



SECTION H-H



F