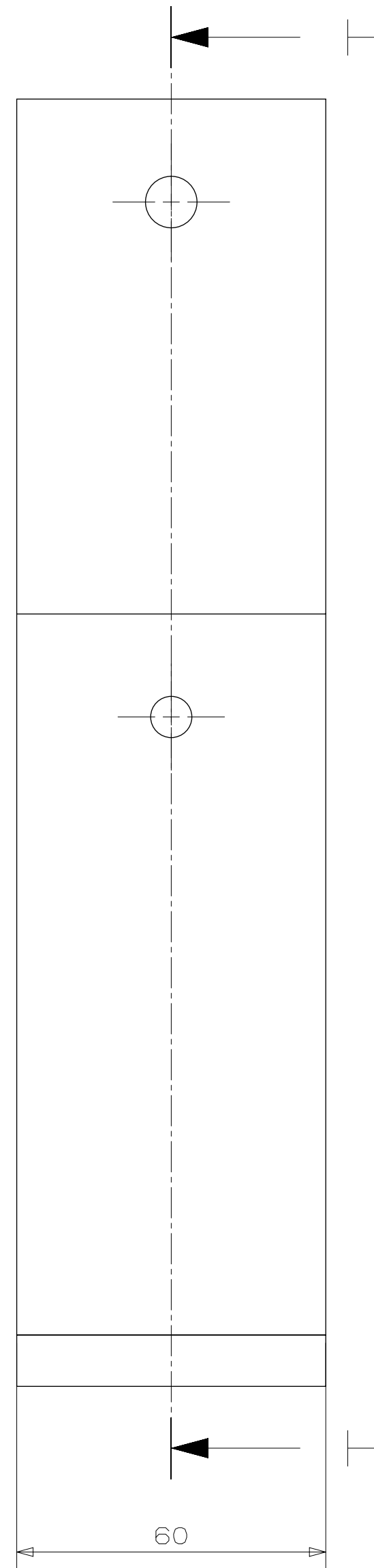
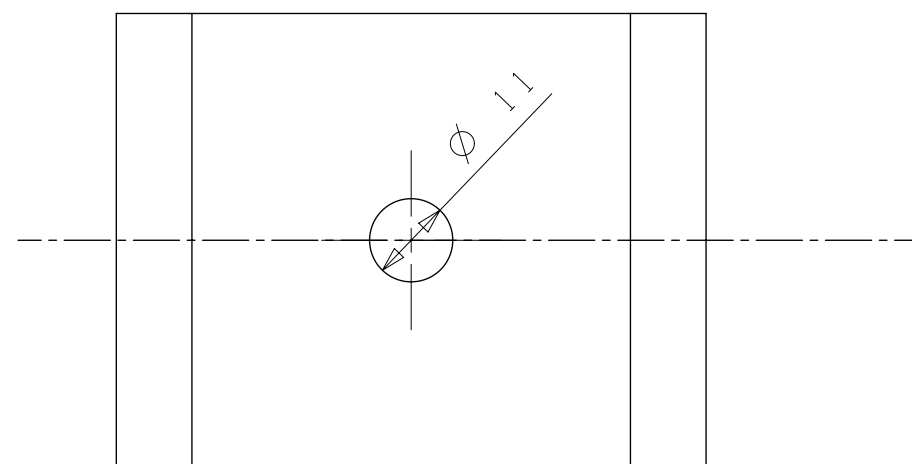


SECTION H-H



FORCELLA SUPPORTO